

eNews

The official e-communication
for Colorado MESA



Welcome to the January 2008 - Volume 2, Edition 5 of the Colorado MESA e-News electronic newsletter. Please let us know how we can assist your MESA program and make a positive difference for our MESA students. For more information on any item mentioned in

the newsletter, please contact our office at 303.556.8547 or via email at ColoradoMESA@cudenver.edu. In this edition, you'll find information on the scholarships, MESA success stories and much more. To view past newsletters or print a pdf version of the current issue, visit www.cmesa.org/news.html



MESA Scholarships

- Robert Rodriguez Scholarship
- Charlie Farel Scholarship
- MESA Gambro Scholarship Award
- MESA CardianBCT Scholarship Award

Application: [Click here >>](#)

Deadline Date: April 18, 2008

Colorado MESA is honored to announce that the 2008 MESA Scholarship application is now available. Two of the scholarships have been endowed with donations inspired by the memory of Mr. Robert Rodriguez and Mr. Charlie Farel, two extraordinary people who were long time supporters of

Colorado MESA and diversity education. Two additional scholarships are funded by the Gambro Cares Foundation, a longtime financial supporter of Colorado MESA.

In order to be eligible for the scholarships, students must demonstrate financial need (1/2 the points are based on financial need), be a current MESA participant and submit a completed application by April 18, 2008.

Eligibility

- Current MESA Student
- Planning to major in a STEM (science, technology, engineering, mathematics) discipline.

Check List

- Completed Scholarship Application
- Official Student Transcripts (through the current academic semester)
- Personal Statement (1-2 pages)
- Copy of your Federal Student Aid Report (SAR) showing family income
- Letter of Acceptance into College/University
- If awarded scholarship, recipient agrees to participate in the MESA Awards Banquet on **May 15, 2008**.

Please note that by submitting a completed application by the deadline, you are eligible for all (4) four scholarships.

Outstanding MESA Student Award

Application: [Click here >>](#)

Deadline Date: April 18, 2008

The 2008 Outstanding MESA Student Award recognizes 15 outstanding MESA students from around the state. Out of more than 3,000 students, the 15 outstanding MESA students have shown exemplary leadership, creativity and commitment to MESA's mission. As an outstanding student award recipient, students receive a reconditioned **Pentium based PC computer** and recognition at Colorado MESA's annual awards banquet on May 15, 2008 at the Wildlife Experience.



Eligibility

- Current MESA student.
- Attend the **17th Annual Awards Banquet** scheduled for **Thursday, May 15, 2008** at the Wildlife Experience. Students must be present at the awards banquet to receive honor.

Selection

Selection criteria used by our panel to select the finalist will include: GPA, MESA participation, academic and other honors. It is beneficial to include any additional awards, honors, volunteer activities, work experience and/or other community involvement you would like the selection panel to consider.

General Scholarships

Award Amount: Varies

Deadline Date: Varies

MESA has compiled an online directory of a few of the Colorado and national based scholarships with deadlines and contact information. Application deadlines for the following scholarships is in January 2008:

[La Raza Youth Leadership Institute, Inc.](#)
[Kaiser Permanente Diversity Scholarship Program](#)
[Greenhouse Project](#)
[University of Colorado Boulder's President's Leadership Class](#)
[White Rose Scholarship Foundation](#)
[American Association of Blacks in Energy](#)
[Society of Women Engineers](#)

For more information, visit our Scholarship website at www.cmesa.org/scholarships.html

MESA Success!

MESA Mania

The Adams District 12 Middle School MESA Mania was an adventure! Two hundred MESA middle school students met at Rocky Top Middle school on a snowy and cold Saturday to compete in activities that support STEM (science, technology, engineering, mathematics) concepts.

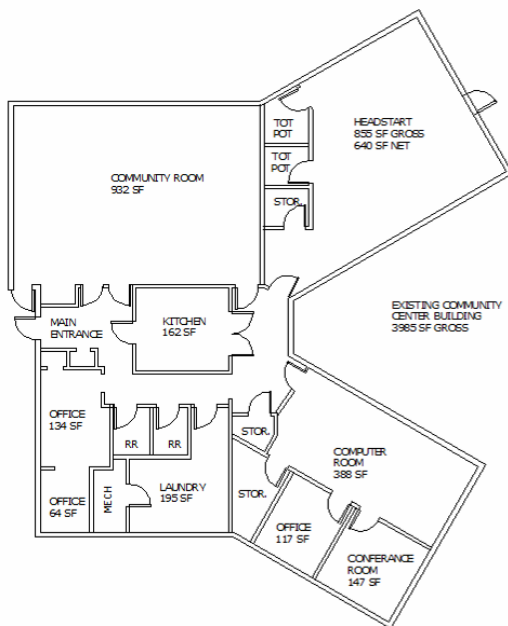
Engineering design challenges included building and flying a newspaper airplane, dropping an egg (team designed container) off of the second story landing, building and testing a trebuchet and competing in high level mathematics computation challenge!

Listening to the students talk about how to solve complex problems and working in a collective team atmosphere was heart warming! Language barriers were absolved; gender and ethnic differences didn't matter! What mattered was teaching and learning! And of course.....winning!

Congratulations to all the District 12 students, advisor and parents for another successful MESA Mania event.



CASA MESA Center



A joint collaboration between MESA, Casa de la Esperanza, the University Colorado Boulder, City and County of Longmont and numerous volunteers and MESA supports, the CASA MESA Center is one step closer to reality. On December 19th, engineering students from the university presented the CASA MESA Center expansion, which includes adding between 3,000-5,000 additional square feet of laboratory and hands-on activity space to the existing facility.

“One thing both MESA (the St. Vrain Valley School District’s Math, Engineering and Science Achievement program) and La Esperanza (which houses migrant farm workers and their families) have learned in recent months is that the almost 15-year-old center is running out of space. The kicker came with a robotics program for high schoolers that took the state’s equivalent of a rookie of the year Award — and also took a fair amount of elbow room.

‘I said, ‘We need more space,’ said Carlota Loya Hernandez, resident program coordinator for La Esperanza. That robot took over most of our classroom.’

‘I said, ‘That’s simple — we’ll just build another building,’ Karen Hunter, the St. Vrain MESA coordinator, said with a grin.” Read the full Longmont Times article by clicking here [>>](#)

MESA Program Tips

- **Spring Student Recruitment**

January marks the beginning of the spring semester for our MESA programs and an excellent time to recruit additional students. Recruitment and retention of students is crucial to the success of the MESA program. It is important for MESA advisors to understand that many ethnic minority students respond differently to outreach and recruitment. Simply announcing the MESA meeting time and location is not a sufficient recruitment effort. Successful minority recruitment means that additional forms of outreach must be undertaken. Below are a few recruitment ideas for the spring:

Personal Student Invitation/Letter

Many students simply need the one-on-one personal invitation to join the MESA program. Advisor

can

approach a personal invitation in a several ways: verbally one-on-one with the student, with the assistance of another teacher in the school or by a letter addressed to the student. The benefit of a letter home also gives you an opportunity to introduce parents to the MESA program an opportunities

at

their student's school. [Click here to view a template of a personal letter >>](#). Please feel free to modify the letter to fit the needs of your MESA program and school.

Site Visit with University Students

A site visit is an excellent opportunity to recruit new students for the spring semester. We'll arrange to bring several hands-on projects, additional MESA information, and university mentors for a 1 hour activity during the day, either at lunch or during a class period of your choice. A site visit creates an opportunity for potential and current MESA students to interact with university mentors and experience first hand the MESA program. For more information or to schedule a recruitment site visit call our

office

at 303.352.3869 or by email at victor.vialpando@cudenver.edu

- **Advisor Semester Report**

Please submit your fall 2007 Advisor Semester report to Colorado MESA by *Friday, February 1, 2008*. Click here to download the advisor semester report form [>>](#)

MESA Spring Design Challenges

High School Engineering and Science Jamboree

Thursday, April 10, 2008

Colorado School of Mines

1500 Illinois Street, Golden, CO 80401

Middle School MESA Day

Thursday, April 17, 2008

Gold Crown Foundation

150 S. Harlan, Lakewood, CO 80227

The 2008 MESA Engineering Design Challenges are scheduled for April 10th and April 17th, 2008. The rules and registration deadlines/process will be released at the end of January. Look for a email announcing the

open registration and rules for the 2008 competition. For more information or questions, please call our office at 303.352.3869 or by email at victor.vialpando@cudenver.edu

Field Trip Opportunities

University Site Visits

Colorado State University – Fort Collins

Contact: Melanie Haas, CSU MESA Center Director

Email: Melanie.haas@cudenver.edu

Phone - 970.491.1044

University of Colorado Boulder

Contact: Michele Towers

Email: Michele.towers@cudenver.edu

Phone: 303.492.5184

University of Colorado Denver

Contact: Colorado MESA Statewide Office

Email: ColoradoMESA@cudenver.edu

Phone: 303.556.8546

Colorado School of Mines, University of Colorado Colorado Springs, CSU-Pueblo

Contact: Colorado MESA Statewide Office

Email: ColoradoMESA@cudenver.edu

Phone: 303.556.8546

Colorado Space Grant

University of Colorado Boulder

The Space Grant is a K-12 outreach program dedicated to encouraging students to consider science and engineering as a possible future. A member of the Colorado Space Grant Consortium (COSGC), a state-wide organization of 13 colleges, universities, and institutions dedicated to space-related projects and activities that are completely student-run, the Colorado Space Grant is headquartered at the University of Colorado Boulder.

The Space Grant offers a number of site models for advisors and students. For more information or to set up a field trip to the Colorado Space Grant, please contact our CU Boulder MESA Center Director, Michele Towers at Michele.towers@cudenver.edu or by phone at 303.492.5184.



Colorado Energy Science Center

The Colorado Energy Science Center is pleased to announce that they received funding from the Xcel Energy Foundation to offer FREE energy efficiency classroom presentations to Denver area MESA programs! The hands-on activities will be taught using CESC's newly updated: *Smart Energy Living: Hands-on Activities for the Middle Grades*. All activities will be taught by Matthew Marshall, a former teacher and energy scientist who has extensive experience in the latest renewable energy technologies. For more information, contact Matthew Marshall at mrm@TaigaDesign.com

MESA University Mentor Program

Our university mentor program provides an opportunity for MESA students and advisors to interact with

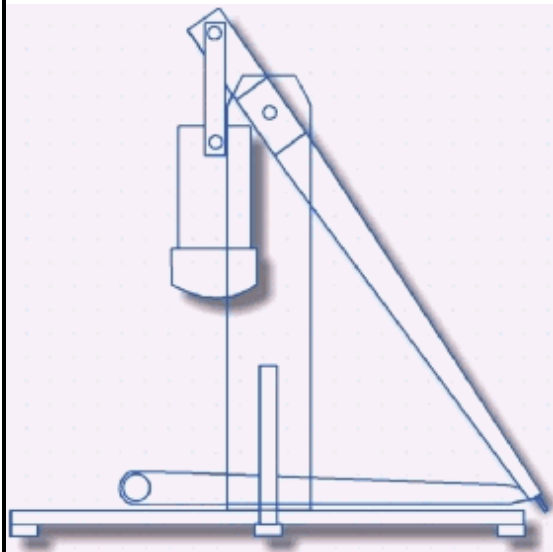


mentors (university students, retired engineers and engineering professionals) in the field of mathematics, engineering, science and technology. Mentors provide leadership skills and serve as a role model for students, assist you with administering activities and developing projects for the local/statewide/national competitions.

Skills and Knowledge:

- Current university student who is majoring in mathematics, engineering, science, health careers or closely related field (i.e. physics, business, teacher education, etc)
- Available to mentor students at least once a week for a course of academic semester.
- Enthusiastic and willing to learn and explore the fields of mathematics, engineering and science with the students.
- Available to participate in a Colorado MESA university mentor training prior to starting.
- Able to travel to assigned school (own car or have access to adequate transportation).

Please note that university mentors are currently available in the Denver Metro area. For areas outside the Denver Metro, please contact the MESA statewide office for more information. To request a mentor or sign up to be a mentor, please complete the online request form at <http://www.cmesa.org/advisor/mentors.html>.



MESA USA National Design Challenge Multi-Task Trebuchet

MESA USA presents its national engineering design competition specifications for the 2007-2008 year. The Multi-Task Trebuchet event involves the transfer of energy from the counterweight to the projectile being thrown. **The maximum amount of energy available to complete the tasks will be limited to that stored by raising the counterweight.** Colorado high school and middle school teams will compete in the following four components in order to qualify for nationals:

1. Performance

2. Academic Display
3. Oral Presentation

Please note the following areas in the revised 2007/08 rules and guidelines:

- Projectiles
- Academic Display
- Oral Presentation
- Device Inspection Criteria

The middle school qualify event is schedule for **April 17, 2008** at the annual **MESA Day**. For more information or questions, please email us at coloradoMESA@cudenver.edu.

UPCOMING EVENTS

▣ [Minority Engineering Conference](#)

February 13 – 14, 2008
Colorado School of Mines

▣ [Bridge Building Contest](#)

Saturday, February 23, 2008
Denver Federal Center

▣ [National Science Bowl](#)

Saturday, February 23, 2008
NREL

▣ [Little Shop of Physics](#)

Saturday, February 23, 2008
Colorado State University

▣ [High School Engineering & Science Jamboree](#)

Thursday, April 10, 2008
Colorado School of Mines

▣ [MESA Day](#)

Thursday, April 17, 2008
Gold Crown Foundation



UC Denver College of Engineering | PO Box 173364 | Campus Box 104 | Denver, CO 80217
Phone 303.556.8568 or 303.352.3869 | Fax 303.556.2344 | Email ColoradoMESA@cudenver.edu

© 2008 Colorado Minority Engineering Association