

The official e-communication
for Colorado MESA

eNews



Welcome to the February 2008 - Volume 2, Edition 6 of the Colorado MESA e-News electronic newsletter. Please let us know how we can assist your MESA program and make a positive difference for our MESA students. For more information on any item mentioned in

the newsletter, please contact our office at 303.556.8547 or via email at ColoradoMESA@cudenver.edu. In this edition, you'll find information on the spring design challenges, scholarships, MESA success stories and professional development opportunities. To view past newsletters or print a pdf version of the current issue, visit www.cmesa.org/news.html. [Support Colorado MESA, click her to donate online >>](#)

MESA Spring Design Challenges **Have You Registered?**

High School Engineering and Science Jamboree

Thursday, April 10, 2008

Colorado School of Mines
1500 Illinois Street, Golden, CO 80401

Middle School MESA Day

Thursday, April 17, 2008

Gold Crown Foundation
150 S. Harlan, Lakewood, CO 80227

The 2008 MESA Engineering Design Challenges are scheduled for April 10th and April 17th, 2008. The rules and registration deadlines/process will be released at the end of January. Look for an email announcing the open registration and rules for the 2008 competition. For more information or questions, please call our office at 303.352.3869 or by email at victor.vialpando@cudenver.edu



MESA Scholarships

- Robert Rodriguez Scholarship
- Charlie Farel Scholarship
- MESA Gambro Scholarship Award
- MESA CardianBCT Scholarship Award

Application: [Click here >>](#)

Deadline Date: April 18, 2008

Colorado MESA is honored to announce that the 2008 MESA Scholarship application is now available. Two of the scholarships have been endowed with donations inspired by the memory of Mr. Robert Rodriguez and Mr. Charlie Farel, two extraordinary people who were long time supporters of

Colorado MESA and diversity education. Two additional scholarships are funded by the Gambro Cares Foundation, a longtime financial supporter of Colorado MESA.

In order to be eligible for the scholarships, students must demonstrate financial need (1/2 the points are based on financial need), be a current MESA participant and submit a completed application by April 18, 2008.

Eligibility

- Current MESA Student
- Planning to major in a STEM (science, technology, engineering, mathematics) discipline.

Check List

- Completed Scholarship Application
- Official Student Transcripts (through the current academic semester)
- Personal Statement (1-2 pages)
- Copy of your Federal Student Aid Report (SAR) showing family income
- Letter of Acceptance into College/University
- If awarded scholarship, recipient agrees to participate in the MESA Awards Banquet on **May 15, 2008**.

Please note that by submitting a completed application by the deadline, you are eligible for all (4) four scholarships.

Outstanding MESA Student Award

Application: [Click here >>](#)

Deadline Date: April 18, 2008

The 2008 Outstanding MESA Student Award recognizes 15 outstanding MESA students from around the state. Out of more than 3,000 students, the 15 outstanding MESA students have shown exemplary leadership, creativity and commitment to MESA's mission. As an outstanding student award recipient, students receive a reconditioned **Pentium based PC computer** and recognition at Colorado MESA's annual awards banquet on May 15, 2008 at the Wildlife Experience.



Eligibility

- Current MESA student.
- Attend the **17th Annual Awards Banquet** scheduled for **Thursday, May 15, 2008** at the Wildlife Experience. Students must be present at the awards banquet to receive honor.

Selection

Selection criteria used by our panel to select the finalist will include: GPA, MESA participation, academic and other honors. It is beneficial to include any additional awards, honors, volunteer activities, work experience and/or other community involvement you would like the selection panel to consider.

University of Colorado Denver REACH Scholarship

The College of Engineering and Applied Science at the University of Colorado Denver has several National Science Foundation Scholarships available to new and financially eligible UC Denver students enrolled full-time in one of the four engineering majors: Civil Engineering, Computer Science and Engineering, Electrical Engineering, and Mechanical Engineering.

Eligibility Criteria:

- Open to students with the status of United States citizen, national, refugee, alien, or permanent resident alien at time of application.
- Open to incoming freshman (high school seniors) who have been accepted to the College of Engineering and Applied Science at UCD,
or
- Current full-time undergraduates enrolled in College of Engineering and Applied Science at UCD,
or
- Current full-time students who are eligible for transfer to College of Engineering and Applied Science at UCD.
- Financial need demonstrable under applicable U.S. Department of Education guidelines used on the Free Application for Federal Student Aid form.
- Major must be in engineering at the baccalaureate level.
- Cumulative grade point average (GPA) of 3.0 or above.

Through the NSF REACH Scholars Program, scholarship recipients receive up to \$7,600 their first year (depending on need) and up to \$3,800 the second year.

Apply:

Apply online at <http://thunder1.cudenver.edu/REACH/REACHapplication.html>. For more information, please feel free to contact Dr. Gita Alaghband at Gita.Alaghband@cudenver.edu.

MESA Alumni Search

We are in the process of re-connecting with all our MESA Alumni. Many of you are still in contact with your students who have since graduated or moved on from the MESA program. If you know of any alumni, please have them contact us via email at ColoradoMESA@cudenver.edu, complete the Alumni Info form at <http://www.cmesa.org/alumni.html> or contact us at 303.352.3869.

We hope to develop a more in-depth alumni network of MESA students, including networking meetings, job opportunities, etc.

MESA Success!

DPS CO2 Car Event

The annual Denver Public Schools Middle School CO2 Car event was a huge success. Over 70 DPS MESA students met at Hill Middle School on January 29th for the annual CO2 Car event.

Students engineered, constructed and tested their designs on a 60 foot race track. By an elimination process of the fastest car, students received a 1st, 2nd, 3rd place, outstanding design, most efficient design and creative design awards. In addition, students built delta darts, a rubber band powered balsa wood and paper airplane to take home. Thank you to all our middle school MESA advisors, Judy Moore and Greg Scott for organization another successful event.



Colorado First Robotics Challenge

Congratulations and good luck to all the MESA Robotics Teams competing in this year's Colorado Regional Competition scheduled for March 27th – 19th at the University of Denver.

MESA Blog, Videos and Pictures

MESA Blog

Interact with other MESA students, advisors and mentors from around the state through our MESA Blog. Ask questions about upcoming design challenges, homework, college entrance process, financial aid and much more. Visit the blog at <http://coloradomesa.blogspot.com/>.

Videos and Pictures

Explore the MESA archive of pictures and videos of past events, design challenges, district competitions and promotional videos. Videos are viewable through our MESA You Tube site and our picture archive is on Flickr.

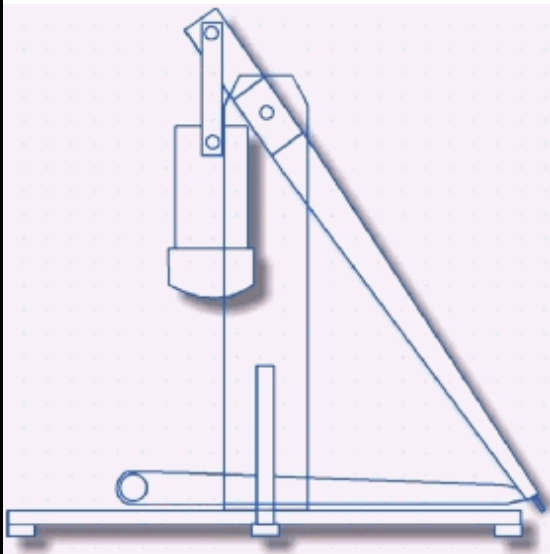
If you have additional MESA related videos/pictures that you would like to share, please email victor.vialpando@cudenver.edu for more information. Visit <http://www.cmesa.org/student/videosandpictures.html> for links to our You Tube and Flickr site.

Professional Development Opportunities

Laboratory for Atmospheric Research (LASP) Colorado Space Science Teacher's Summit June 9th – 13th, 2008

The Colorado Space Science Teacher's Summit is an innovative science program for middle and high school teachers! Learn about space sciences from *scientists* with a focus on Outer Planets, Space Weather: The Sun-Earth Connection, Spectroscopy, Astrobiology and:

- Explore space science lessons and activities
- Receive classroom material
- Have eligibility for graduate credit
- Meet other teachers, scientists, tour LASP, and have fun!



For more information, please contact Erin Wood at erin.wood@lasp.colorado.edu or register online at <http://lasp.colorado.edu/education/teacherssummit/>.

MESA USA National Design Challenge Multi-Task Trebuchet

MESA USA presents its national engineering design

competition specifications for the 2007-2008 year. The Multi-Task Trebuchet event involves the transfer of energy from the counterweight to the projectile being thrown. **The maximum amount of energy available to complete the tasks will be limited to that stored by raising the counterweight.** Colorado high school and middle school teams will compete in the following four components in order to qualify for nationals:

1. Performance
2. Academic Display
3. Oral Presentation

Please note the following areas in the revised 2007/08 rules and guidelines:

- Projectiles
- Academic Display
- Oral Presentation
- Device Inspection Criteria

The middle school qualify event is schedule for **April 17, 2008** at the annual **MESA Day**. For more information or questions, please email us at coloradoMESA@cudenver.edu.

UPCOMING EVENTS

- | | |
|--|---|
| ▣ Trail Ridge Middle School MESA Parent Night
Tuesday, March 4, 2008
Trail Ridge Middle School | ▣ CSU Pueblo 2008 Design Contest
Saturday, March 8, 2008
Colorado State University - Pueblo |
| ▣ High School Engineering & Science Jamboree
Thursday, April 10, 2008
Colorado School of Mines | ▣ MESA Day
Thursday, April 17, 2008
Gold Crown Foundation |
| ▣ 17th Annual MESA Awards Banquet
Thursday, May 15, 2008
Wildlife Experience | ▣ MESA USA National Design Challenge
June 19-22, 2008
University of Maryland |



UC Denver College of Engineering | PO Box 173364 | Campus Box 104 | Denver, CO 80217
Phone 303.556.8568 or 303.352.3869 | Fax 303.556.2344 | Email ColoradoMESA@cudenver.edu

© 2008 Colorado Minority Engineering Association

[Support Colorado MESA – Click Here to Donate Online](#)