

The official e-communication
for Colorado MESA

eNews



Welcome to the December 2007 - Volume 2, Edition 4 of the Colorado MESA e-News electronic newsletter. Please let us know how we can assist your MESA program and make a positive difference for our MESA students. For more information on any item

mentioned in the newsletter, please contact our office at 303.556.8547 or via email at ColoradoMESA@cudenver.edu. In this edition, you'll find information on the High School Fall Fling, Field Trip Opportunities, Scholarships and much more. To view past newsletters or print a pdf version of the current issue, visit www.cmesa.org/news.html

2007 Fall Fling

The 2007 Fall Fling event was a success! Hosted by Multicultural Engineering Program at the University of Colorado Boulder. Over 280, students, advisors and volunteers attended the two-day event on November 1st and 2nd. Congratulations to all the schools, advisors and students who participated in the design challenge.



Over 280, students, advisors and volunteers attended the two-day event on November 1st and 2nd. Congratulations to all the schools, advisors and students who participated in the design challenge.

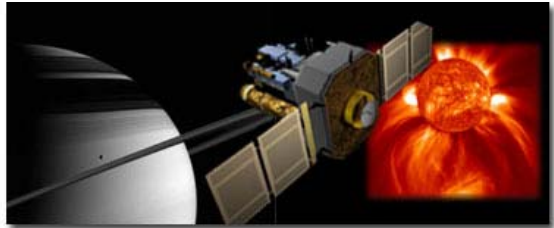
Multi-Task Trebuchet Challenge Winners

- **1st Place** - *Pueblo East High School*
Advisor – Jeff Osborne
Students - Aaron, Ross, Ryan and Maleah
- **2nd Place** – *Coronado High School*
Advisor - Lynne Williams
Students – Julie and Scott
- **3rd Place** – *George Washington High School*
Advisor – Lucy Okoh
Students - Mike, Tsiom and Unurjargal

A complete list of the performance scores by school and pictures can be viewed at www.cmesa.org/MESA_Days.

Professional Development Colorado Space Science Teachers Summit

The Laboratory for Atmospheric and Space Physics (LASP) presents the Colorado Space Science Teachers Summit on June 8th – 12th, 2008. The Summit is an innovative science program for middle and high school teachers!



- Learn about space sciences from *scientists* with a focus on:
 - Outer Planets
 - Space Weather: The Sun-Earth Connection
 - Spectroscopy
 - Astrobiology
- Explore space science lessons and activities
- Receive classroom material
- Have eligibility for graduate credit
- Meet other teachers, scientists, tour LASP, and have fun!

For more information, visit [LASP's website](#) or contact Erin Wood at erin.wood@lasp.colorado.edu.

MESA Program Tips

- **MESA Timeline**

The fall semester is quickly approaching. As we prepare for the spring term, please keep the following timeline in mind:

December	Submit MESA Advisor Semester Report to the statewide MESA office. Click here to download form >>
	Complete at least 1 field trip to either a university or a company.
	Submit all Student Enrollment forms to Colorado MESA or your District Coordinator.
	Administer and submit your student pre-assessments and at least one (1) activity assessment – WIRED programs only!
January/February	Identify outstanding MESA students in your program and nominate them for the annual Outstanding MESA Student Award. The application deadline for the 2008 Outstanding Student Award is Friday, April 18, 2008.



Field Trip Opportunities

University Site Visits

Colorado State University – Fort Collins

Contact: Melanie Haas, CSU MESA Center Director

Email: Melanie.haas@cudenver.edu

Phone - 970.491.1044

University of Colorado Boulder

Contact: Michele Towers

Email: Michele.towers@cudenver.edu

Phone: 303.492.5184

University of Colorado Denver

Contact: Colorado MESA Statewide Office

Email: ColoradoMESA@cudenver.edu

Phone: 303.556.8546

Colorado Space Grant

University of Colorado Boulder

The Space Grant is a K-12 outreach program dedicated to encouraging students to consider science and engineering as a possible future. A member of the Colorado Space Grant Consortium (COSGC), a state-wide organization of 13 colleges, universities, and institutions dedicated to space-related projects and activities that are completely student-run, the Colorado Space Grant is headquartered at the University of Colorado Boulder.

The Space Grant offers a number of site models for advisors and students. For more information or to set up a field trip to the Colorado Space Grant, please contact our CU Boulder MESA Center Director, Michele Towers at Michele.towers@cudenver.edu or by phone at 303.492.5184.

ITL Design Expo

Saturday, December 8, 2007

University of Colorado Boulder

The Integrated Teaching Lab (ITL) at CU Boulder will host their 2007 Design Expo. The public is invited from 1:00 to 3:00 PM. This would be an excellent opportunity for your MESA students to explore the ITL. The public is invited to get involved with an afternoon tour of the Design Expo. They can voice their opinion by voting for the People's Choice Award. Historically, more than 200 members of the public, ranging from K-12 students and their families to members of the media come through the Expo to view the student projects.

For more information, contact our CU Boulder MESA Center Director, Michele Towers at Michele.towers@cudenver.edu or by phone at 303.492.5184.

University of Colorado Denver College of Engineering Student Design Open House

Friday, December 14, 2007

University of Colorado Denver

The College of Engineering is hosting their annual Student Design Open House at the St. Francis Center on the CU Denver Downtown Denver Campus. Twelve engineering projects will be on display, and a panel of four judges will choose a first and second place project, the winners being announced at one o'clock. The open house will provide an opportunity for MESA students to interact with college engineering students, ask questions, visit the campus, and view some great projects. [For a list of complete list of projects, click here >>.](#)

Colorado Energy Science Center

The Colorado Energy Science Center is pleased to announce that they received funding from the Xcel Energy

Foundation to offer FREE energy efficiency classroom presentations to Denver area MESA programs! The hands-on activities will be taught using CESC's newly updated: *Smart Energy Living: Hands-on Activities for the Middle Grades*. All activities will be taught by Matthew Marshall, a former teacher and energy scientist who has extensive experience in the latest renewable energy technologies. For more information, contact Matthew Marshall at mrm@TaigaDesign.com

MESA University Mentor Program

Our university mentor program provides an opportunity for MESA students and advisors to interact with

University Mentor Program



mentors (university students, retired engineers and engineering professionals) in the field of mathematics, engineering, science and technology. Mentors provide leadership skills and serve as a role model for students, assist you with administering activities and developing projects for the local/statewide/national competitions.

Skills and Knowledge:

- Current university student who is majoring in mathematics, engineering, science, health careers or closely related field (i.e. physics, business, teacher education, etc)
- Available to mentor students at least once a week for a course of academic semester.
- Enthusiastic and willing to learn and explore the fields of mathematics, engineering and science with the students.
- Available to participate in a Colorado MESA university mentor training prior to starting.
- Able to travel to assigned school (own car or have access to adequate transportation).

Please note that university mentors are currently available in the Denver Metro area. For areas outside the Denver Metro, please contact the MESA statewide office for more information. To request a mentor or sign up to be a mentor, please complete the online request form at <http://www.cmesa.org/advisor/mentors.html>.

Summer Camp Opportunity

Society of American Military Engineers/United States Air Force Academy 2008 Engineering and Construction Camp

The Society of American Military Engineers and the United States Air Force Academy are sponsoring the ninth annual Engineering and Construction Camp for select high school sophomores. The camp offers an opportunity for 60 students from all over the United States and the world to learn hands-on engineering skills and other group activities on the United States Air Force Academy in Colorado Springs. **The 2008 Camp will be from Friday, 27 June to Thursday, 3 July 2008.**

To qualify for consideration, students must meet the following criteria:

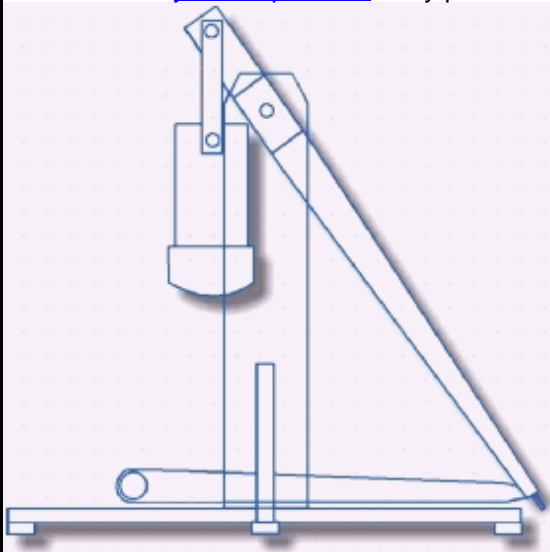
- Student must be a U.S. Citizen.
- The student must have completed at least their freshman year of high school.



- The student must still be enrolled in school at the time of the camp.
- Be on a high school track that will provide a basis for attending an accredited engineering college or university (i.e., taking appropriate math and science courses).
- Have an expressed intent to pursue a degree in architecture, engineering or a related field.
- Have demonstrated leadership characteristics through participation in extra-curricular activities, sports, and/or community activities.
- Students must have a minimum GPA of 3.0 on a 4.0 GPA scale.
- Be physically fit and healthy (not have any physical limitations including, but not limited to the following: a requirement to take mandatory medication that requires special handling; sprained joints; or, neck, shoulder, or back injuries).
- Be of high moral character
- Student must have an expressed interest in applying to a Service Academy or ROTC Program (this does not include JROTC).
- If the student has completed the junior year of high school (rising senior), they must provide proof of application for entry to a Service Academy or ROTC. Rising seniors who have not met this qualification will not be considered for camp. Proof includes: A letter from the service academy or recruiter referring to the student's application.
- Students who have attended an SAME Engineering and Construction Camp prior to this year will not be eligible for the same camp.
- Students must be sponsored by a local SAME Post.

Information about the camp and registration forms are now available at the SAME website www.same.org. A link to the 2007 camp video is also available at the SAME website. Additional information about the camp and pictures from the 2007 camp are available on the camp website at www.samecoloradocamp.org. The 2008 schedule will be posted to this website when it becomes available.

The total registration fee for the camp is \$550. The student is responsible for paying half the registration fee, \$275; checks should be made out to the Denver Metro Post, SAME. The Denver Metro Post will pay the remainder of the fee. For additional information about the Denver Metro Post's sponsorship please contact John Coats at jcoats@pwt.com or by phone at 303.274.5400 Extension 26.



MESA USA National Design Challenge **Multi-Task Trebuchet**

MESA USA presents its national engineering design competition specifications for the 2007-2008 year. The Multi-Task Trebuchet event involves the transfer of energy from the counterweight to the projectile being thrown. **The maximum amount of energy available to complete the tasks will be limited to that stored by raising the counterweight.** Colorado high school and middle school teams will compete in the following four components in order to qualify for nationals:

1. Performance
2. Academic Display
3. Oral Presentation

Please note the following areas in the revised 2007/08 rules and guidelines:

- Projectiles

- Academic Display
- Oral Presentation
- Device Inspection Criteria

The middle school qualify event is schedule for **April 17, 2008** at the annual **MESA Day**. For more information or questions, please email us at coloradoMESA@cudenver.edu.

Scholarships

MESA Scholarships

-Robert Rodriguez Scholarship

-Charlie Farel Scholarship

-Gambro Cares Foundation Scholarship

Application: [Click here >>](#)

Deadline Date: April 18, 2008

Colorado MESA is honored to announce that the 2008 MESA Scholarship application is now available. Two of the scholarships have been endowed with donations inspired by the memory of Mr. Robert Rodriguez and Mr. Charlie Farel, two extraordinary people who were long time supporters of Colorado MESA and diversity education. The third scholarship is funded by the Gambro Cares Foundation, a longtime financial supporter of Colorado MESA.

In order to be eligible for the scholarships, students must demonstrate financial need (1/2 the points are based on financial need), be a current MESA participant and submit a completed application by April 18, 2008.

Eligibility

- Current MESA Student
- Planning to major in a STEM (science, technology, engineering, mathematics) discipline.

Check List

- Completed Scholarship Application
- Official Student Transcripts (through the current academic semester)
- Personal Statement (1-2 pages)
- Copy of your Federal Student Aid Report (SAR) showing family income
- Letter of Acceptance into College/University
- If awarded scholarship, recipient agrees to participate in the MESA Awards Banquet on May 15, 2008.

Please note that by submitting a completed application by the deadline, you are eligible for all three scholarships.

Outstanding MESA Student Award

Application: [Click here >>](#)

Deadline Date: April 18, 2008

The 2008 Outstanding MESA Student Award recognizes 15 outstanding MESA students from around the state. Out of more than 3,000 students, the 15 outstanding MESA students have shown exemplary leadership, creativity and commitment to MESA's mission. As an outstanding student award recipient, students receive a reconditioned **Pentium based PC computer** and recognition at Colorado MESA's annual awards banquet on May 15, 2008 at the Wildlife Experience.



Eligibility

- Current MESA student.
- Attend the **17th Annual Awards Banquet** scheduled for **Thursday, May 15, 2008** at the Wildlife Experience. Students must be present at the awards banquet to receive honor.

Selection

Selection criteria used by our panel to select the finalist will include: GPA, MESA participation, academic and other honors. It is beneficial to include any additional awards, honors, volunteer activities, work experience and/or other community involvement you would like the selection panel to consider.

General Scholarships

Award Amount: Varies

Deadline Date: Varies

MESA has compiled an online directory of a few of the Colorado and national based scholarships with deadlines and contact information. Application deadlines for the following scholarships is in December 2007:

[American Institute of Architects Foundation](#)
[SAE Engineering Scholarship](#)
[Hispanic Annual Salute Scholarship](#)
[Hispanic Scholarship Fund](#)
[Gates Millennium Scholarship Program](#)

For more information, visit our Scholarship website at www.cmesa.org/scholarships.html

UPCOMING EVENTS

▣ [District 11 MESA Career Day](#)
Tuesday, December 4, 2007
Telsa Center in Colorado Springs

▣ [ITL Design Expo](#)
Saturday, December 8, 2007
University of Colorado Boulder

▣ [Adams 12 MESA Mania](#)
Saturday, December 8, 2007

▣ [FIRST Robotics Competition](#)
Saturday, December 15, 2007
University of Colorado Denver

▣ [High School Engineering & Science Jamboree](#)
Thursday, April 10, 2008
Colorado School of Mines

▣ [MESA Day](#)
Thursday, April 17, 2008
Gold Crown Foundation



CU Denver College of Engineering | PO Box 173364 | Campus Box 104 | Denver, CO 80217
Phone 303.556.8568 or 303.352.3869 | Fax 303.556.2344 | Email ColoradoMESA@cudenver.edu

© 2007 Colorado Minority Engineering Association

