

The official e-communication
for Colorado MESA

eNews



Welcome to the August 2007 - Volume 2, Edition 1 of the Colorado MESA e-News electronic newsletter. Please let us know how we can assist your MESA program and make a positive difference for our MESA students. For more information on any item mentioned in

the newsletter, please contact our office at 303.556.8568 or via email at ColoradoMESA@cudenver.edu. In this edition, you'll find information on recruitment timelines, SHPE/HENAAC summer camp, Multi-Task Trebuchet Challenge Design updates and much more. To view past newsletters or print a pdf version of the current issue, visit www.cmesa.org/news.html

Welcome Back!

Welcome Back! We hope that you had a relaxing summer vacation. The fall semester is quickly approaching and Colorado MESA has been hard at work this summer preparing for 2007/08 academic year. As many advisor gear up for the upcoming fall semester, we would like to note a few items to keep in mind for the first few weeks of school:

- **Student Recruitment**

Recruitment and retention of students is crucial to the success of the MESA program. It is important for MESA advisors to understand that many ethnic minority students respond differently to outreach and recruitment. Simply announcing the MESA meeting time and location is not a sufficient recruitment effort. Successful minority recruitment means that additional forms of outreach must be undertaken. Below is a suggested timeline for recruitment:

August 2007 Enlist the assistance of the "veteran" MESA students and the math and science faculty to identify potential MESA students that meet the general requirements.

September 2007 Organize the first MESA student meeting and select the meeting times and places for the remainder of the semester.

Submit your Advisor Information Sheet to the statewide MESA office.

Plan your MESA semester parent meeting.

- **MESA Forms and Documents Submission Deadlines**

[MESA Advisor Information Sheet](#)
[Parent Permission Forms](#)
[Student Enrollment Forms](#)

Friday, September 21, 2007
Friday, October 5, 2007
Friday, October 5, 2007

- **REVISED MESA Advisor Handbook**

The revised MESA Advisor Handbook is available to download on our website at www.cmesa.org. Additions to the handbook include MESA mini-projects, recruitment timeline and much more.

- **University Mentor Program**

Our university mentor program provides an opportunity for MESA students and advisors to interact with mentors (university students, retired engineers and engineering professionals) in the field of mathematics, engineering, science and technology. Mentors provide leadership skills and serve as a role model for students, assist you with administering activities and developing projects for the local/statewide/national competitions.

Please note that university mentors are currently available in the Denver Metro area. For areas outside the Denver Metro, please contact the MESA statewide office for more information. To request a mentor, please complete the online request form at <http://www.cmesa.org/advisor/mentors.html>.

SAVE the DATES!

WIRED MESA Advisor & Retreat Kick-Off

WIRED - MARK

September 7, 2007

University of Colorado at Denver and Health Sciences Center

Required for advisors in the 9 county WIRED region (Adams, Arapahoe, Boulder, Broomfield, Denver, Douglas, Jefferson, Larimer, and Weld)

MESA Advisor & Retreat Kick-Off

MARK

September 8, 2007

University of Colorado at Boulder

[Click here to register for MARK online >>](#)

Fall Fling 2007

November 1 & 2, 2007

University of Colorado Boulder



Congratulations to Huron Middle School & Pueblo East High School



Students from both Huron Middle School and Pueblo East High School placed 2nd overall in the 2007 Engineering Design Competition in Maryland June 22-24, 2007.

The 2007 design challenge was to design, build, test and present a modern version of the ancient counterweight trebuchet. Students competed on four different components related to the trebuchet; Performance, Technical Paper, Academic Display and

Oral Presentation before a panel of industry judges.
The overall score is combined score of all the components.

Joshua Dischner, Tyler Lovato, Regan Low led by advisors Sara Koffarnus and Ridley Young placed 2nd overall at the 2007 Engineering Design Competition middle school category sponsored by the Mathematics, Engineering, Science, Achievement (MESA); a program designed to encourage minority and female students to prepare themselves for a college education and to major in mathematics, engineering or science.

Pueblo East High School represented Colorado in the high school category, taking 2nd place overall. Led by MESA Advisor Jeff Osborne, team members include Maleah Gregory, Aaron Griffin and Ryan Zanini. Pueblo East High School has represented Colorado at the national competition for the past two years, placing in the top each year.

2007 SHPE/HENAAC Summer Camp

The 2007 SHPE/HENAAC summer camp sponsored by IBM and hosted by the Multicultural Engineering Program at the University of Colorado at Boulder was aimed at expanding educational opportunities for Hispanic student's interested STEM education.



The four day resident camp hosted forty rising 9th and 10th graders from around the Denver area. Students competed in a series of design challenges including a Mousetrap Car, Suduko Boat Building/Scavenger Challenge and a hands on science challenge.

In addition to hands on activities, students had an opportunity to visit the state-of-the-art IBM facility outside of Boulder and participate in a number of college preparatory workshops and presentations.

For more information or to read a full article about the summer campus published in the Colorado Daily Newspaper [click here >>](#).

MESA Welcomes Su Hawk to the Board of Directors

Colorado MESA Board of Directors recently appointed Su Hawk as the new Chair of the Public Relations Committee. Su Hawk has joined the Colorado MESA Board of Directors and will focus her volunteer efforts on the strategic communications initiatives with MESA, including increasing the reputation for MESA's work with students and initiatives to encourage more students to be involved in STEM education and careers. She is the president of CSIA, a state-wide industry association for IT/software companies. She was named president of CSIA in May of 2003 after more than 20 years in the Denver business and technology community,

Su is a Colorado native, and her past positions include VP at the Denver Metro Chamber and Schenkein Public Relations; SVP at the Southeast Business Partnership and Clarus Public Relations; and has been in

various management roles with other Colorado companies and agencies.

She is actively involved in the community, and specifically is interested in encouraging more students to become involved in math, science, technology and engineering. Other community leadership roles include serving on the Boards of Directors for the Colorado Enterprise Fund, Colorado Technology Community Foundation, Girls Count, YWCA and Family Tree. She also has served as the chair of the boards for both Family Tree and the local Colorado chapter of the Public Relations Society of America.

MESA USA National Design Challenge **Multi-Task Trebuchet**

MESA USA presents its national engineering design competition specifications for the 2007-2008 year. The Multi-Task Trebuchet event involves the transfer of energy from the counterweight to the projectile being thrown. **The maximum amount of energy available to complete the tasks will be limited to that stored by raising the counterweight.** Colorado high school and middle school teams will compete in the following

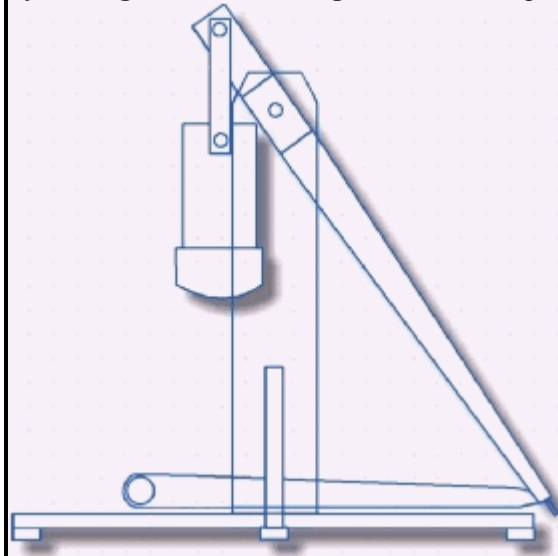
four components in order to qualify for nationals:

1. Performance
2. Technical Paper
3. Academic Display
4. Oral Presentation

Please note the following areas in the revised 2007/08 rules and guidelines:

- Projectiles
- Academic Display
- Oral Presentation
- Device Inspection Criteria

The high school qualify event is schedule for **November 1 & 2, 2007** at the annual **Fall Fling Event** at the University of Colorado at Boulder. For more information or questions, please email us at



coloradoMESA@cudenver.edu.

CIRES Research Subjects Needed

The Cooperative Institute for Research in Environmental Science (CIRES) at the University of Colorado at Boulder is searching for 15-20 Colorado public school teachers to participate in a research project aimed at understanding teacher ideas concerning global climate change, and its place as a topic in the classroom.

If you would be willing to participate in a short, confidential, in person interview or phone interview, please contact CIRES Fellow Sarah Wise at sarah.wise@colorado.edu or at 303.735.5514 for more information. Interviews will occur

UPCOMING EVENTS

 [2007 MARK Professional Development](#)

 [NASA's Vision for Space Exploration](#)

Friday, September 7, 2007 (WIRED)
Saturday, September 8, 2007
University of Colorado at Boulder
8:00AM - 5:00PM

September 5-8, 2007
University of Colorado at Boulder
Fiske Planetarium

▣ [St. Vrain MESA Expo](#)
Tuesday, October 2, 2007
Xilinx Conference Center
1:00PM - 4:00PM

▣ **Fall Fling 2007**
November 1 & 2, 2007
University of Colorado at Boulder



UCDHSC | PO Box 173364 | Campus Box 104 | Denver, CO 80217
Phone 303.556.8568 or 303.352.3869 | Fax 303.556.2344 | Email ColoradoMESA@cudenver.edu
© 2007 Colorado Minority Engineering Association